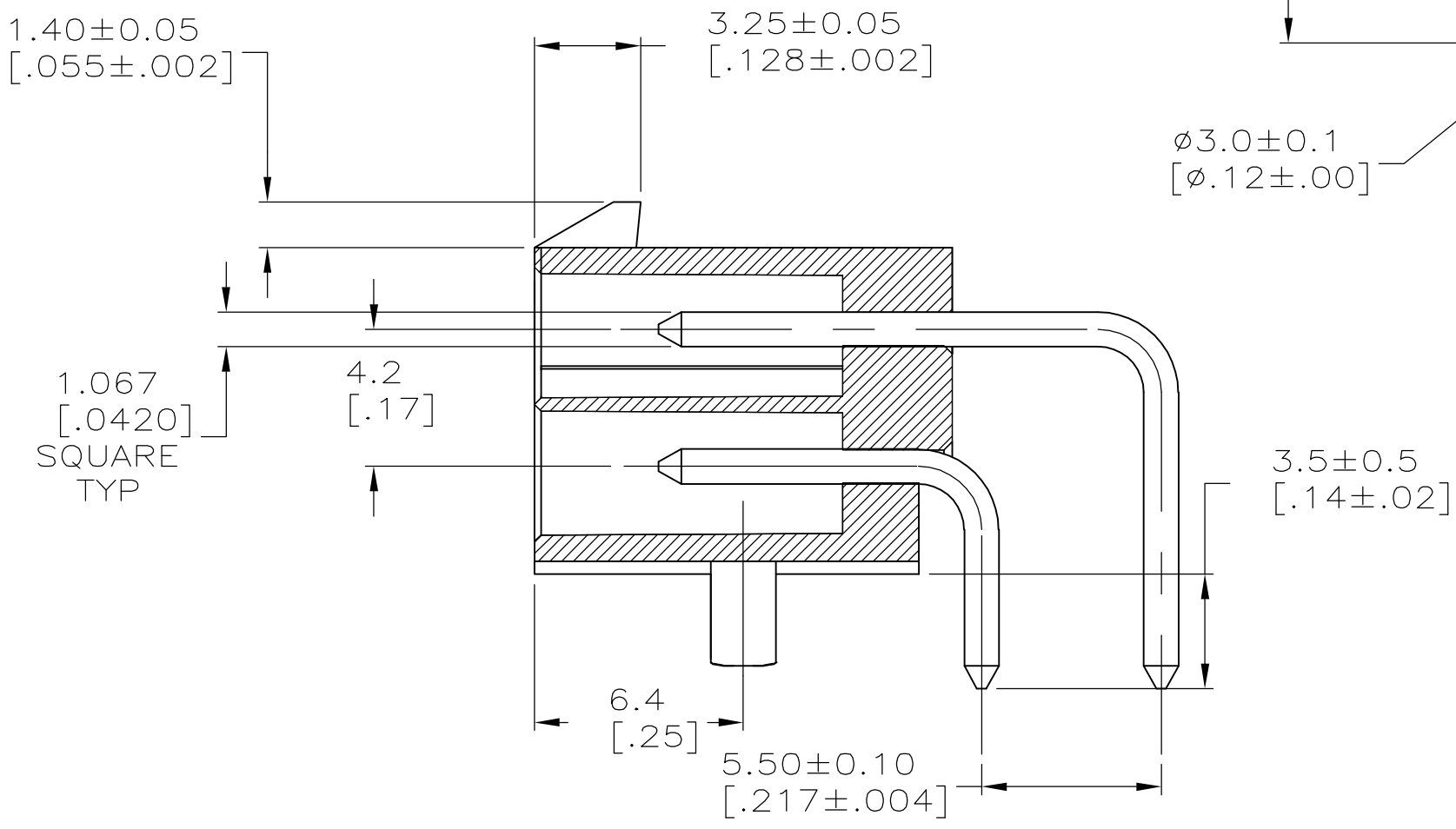
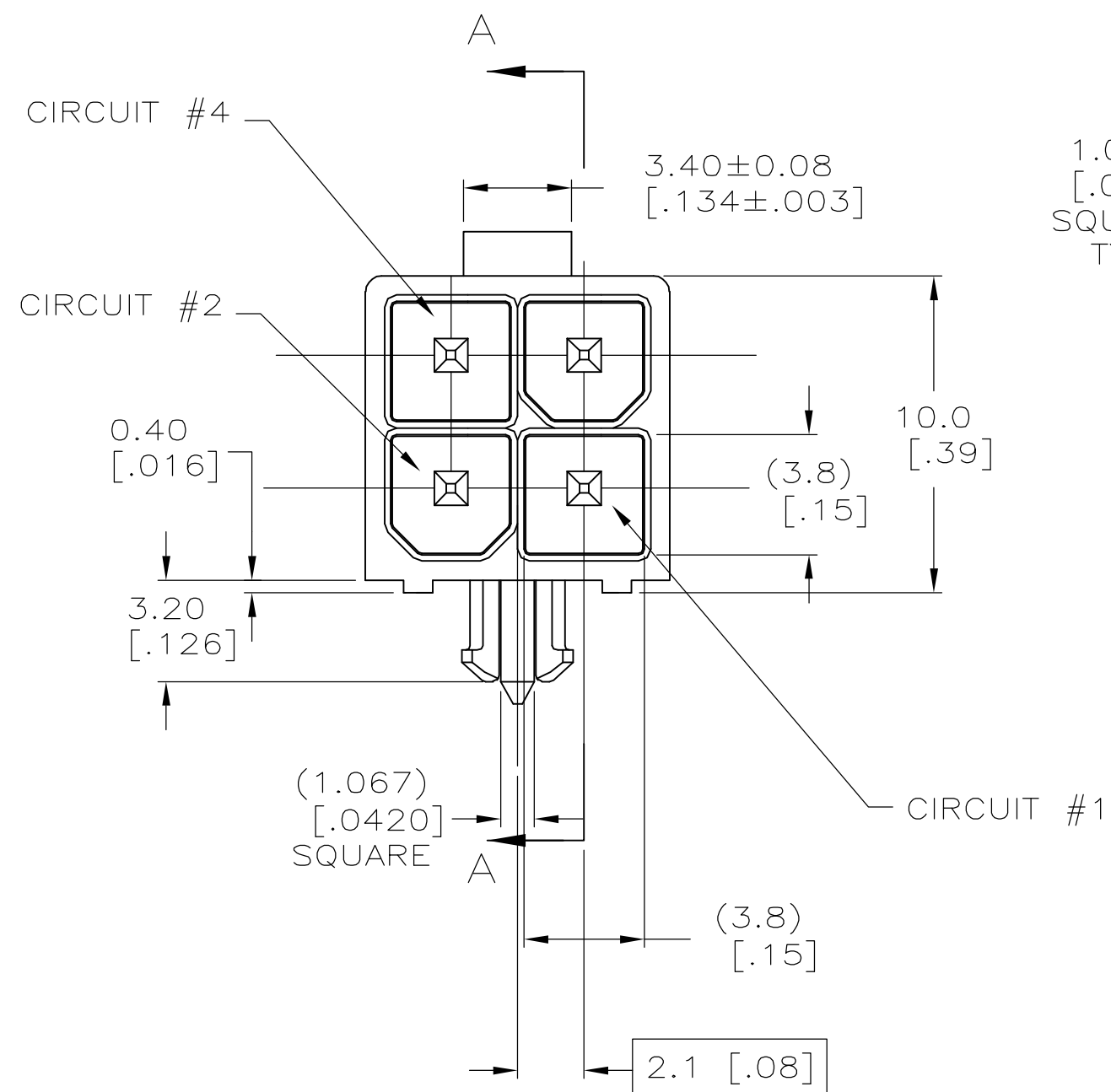
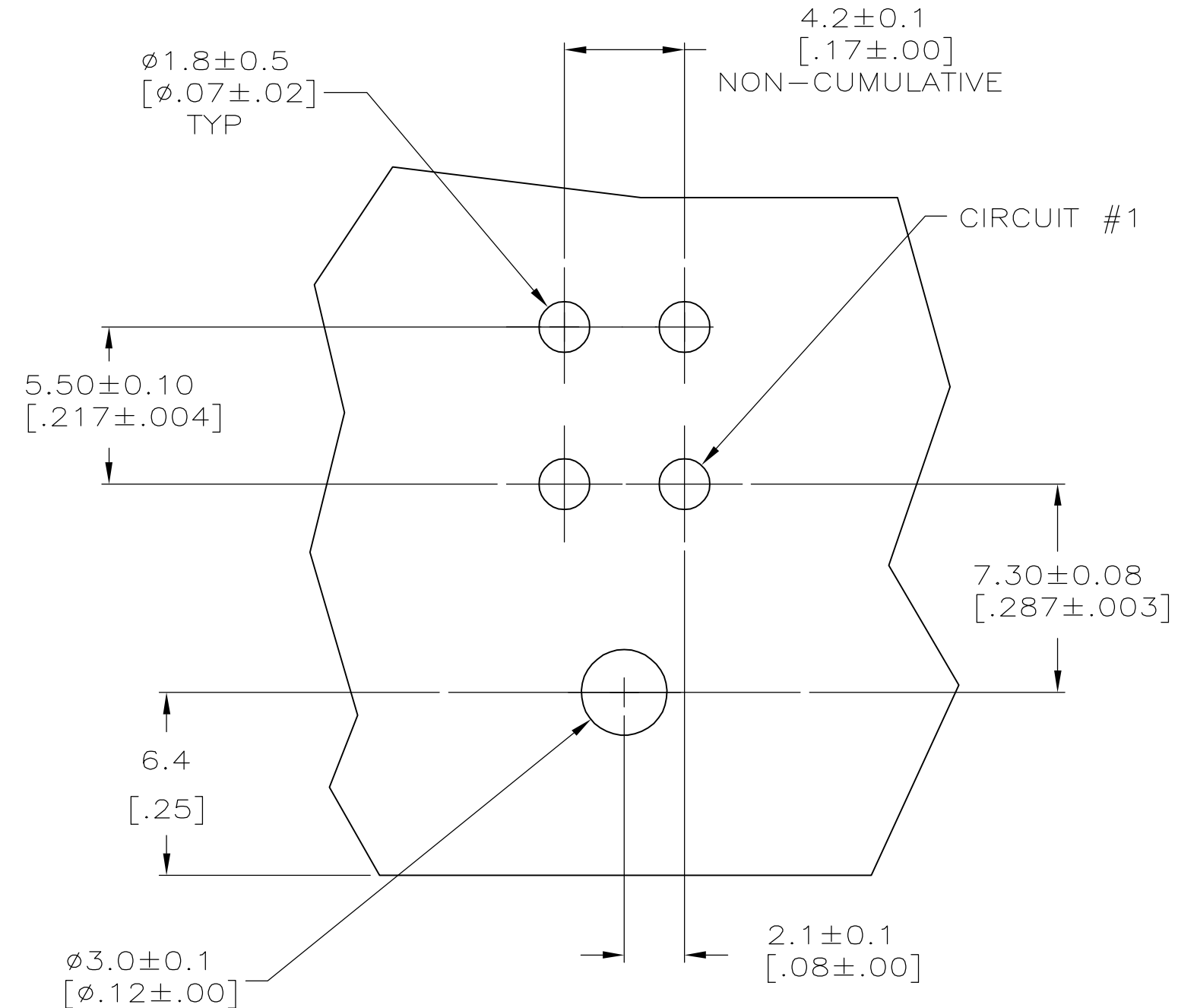
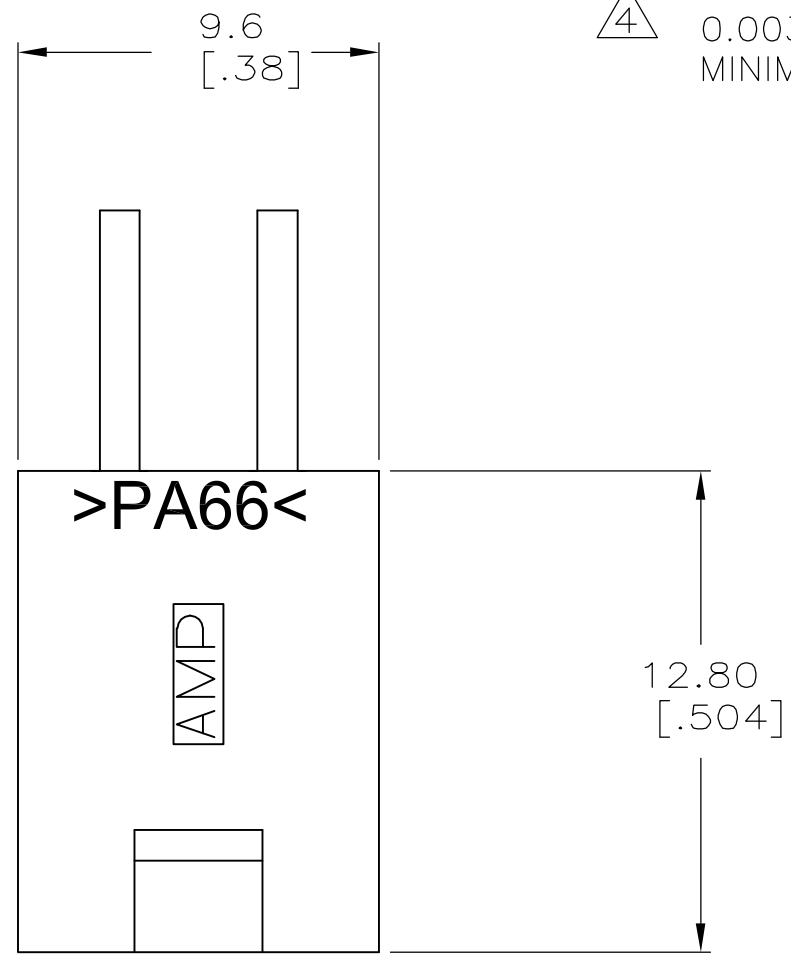


THIS DRAWING IS UNPUBLISHED. RELEASED FOR PUBLICATION
 © COPYRIGHT BY TYCO ELECTRONICS CORPORATION. ALL RIGHTS RESERVED.

LOC		DIST		REVISIONS			
P	LTR	DESCRIPTION		DATE	DWN	APVD	
	B	REVISED PER ECO-06-014735		10NOV06	KW	DC	

- 1 MATERIAL: HOUSING - NYLON, UL94V-2 (COLOR - NATURAL).
PIN - 1.067mm² [.0017in²] COPPER ALLOY.
- 2. PINS TO COMPLY WITH SOLDERABILITY SPEC 109-11-3.
- 3 0.00381 [.000150] MINIMUM TIN LEAD OVER 0.00127 [.000050] MINIMUM NICKEL, ENTIRE LENGTH OF PIN.
- 4 0.00381 [.000150] MINIMUM TIN OVER 0.00127 [.000050] MINIMUM NICKEL, ENTIRE LENGTH OF PIN.



RECOMMENDED MOUNTING HOLE PATTERN FOR 1.78 [.070] MAX THICK P.C. BOARD COMPONENT SIDE SHOWN

SECTION A-A

SUPERSEDED BY 1-1489805-1

1	4	1	1	1-1489805-1
1	3	1	1	1489805-1
MATERIAL		FINISH		ASSEMBLY
PIN		HOUSING		

METRIC

THIS DRAWING IS A CONTROLLED DOCUMENT.

DIMENSIONS: mm [INCHES]	TOLERANCES UNLESS OTHERWISE SPECIFIED:	DWN S. HOOVER 02-MAR-2005	Tyco Electronics Corporation Harrisburg, Pa 17105-3608
0 PLC ±	1 PLC ± 0.2 [.01]	CHK D. COLEY 02-MAR-2005	
	2 PLC ± 0.13 [.005]	APVD D. COLEY 02-MAR-2005	ASSEMBLY, HEADER, RIGHT ANGLE, 4 POSITION, W/PEGS, 94V-2, AMP-DUACTM POWER CONNECTOR
	3 PLC ±	PRODUCT SPEC	SIZE CAGE CODE DRAWING NO RESTRICTED TO
	4 PLC ±	APPLICATION SPEC	A2 00779 C=1489805
	ANGLES ± 0' 30"	WEIGHT	SCALE 5:1 SHEET 1 OF 1 REV B
MATERIAL SEE CHART	FINISH SEE CHART	CUSTOMER DRAWING	